

i.MX 6UL/6ULL Development FAQs

Based on MYIR's i.MX6UL/6ULL Series Products

V2.0

[E-mail: support@myirtech.com](mailto:support@myirtech.com)

Table of Contents

1. Set up the development environment	1
1.1 Requirements to the virtual machine.....	1
1.2 The recommended Ubuntu version	1
1.3 How to connect PC to the serial ports of the development board?	1
1.4 Naming rules of MYiR’s boards and explanation of relevant DTB files.....	1
2. Modify and recompile the kernel, uboot, and the file system	2
2.1 How to modify Yocto after the source code of kernel or uboot is modified?	2
2.2 How to tailor “make menuconfig“ of kernel? How to add new device?.....	3
2.3 After compiling the kernel or uboot separately we get many files, which one to use?	5
2.4 How to find “myd-y6ull-boot-mmc0-tftp.txt”? How to use?	5
3. Downloading and programming in the system	6
3.1 How to program via tftp under uboot?.....	6
3.2 When updating OS via SD card or programming with mfgtool, how to replace the files?	7
3.3 How to transfer files between Windows PC / Ubuntu and the development board?.....	7
4. Development of applications	10
4.1 How to modify if we want to use another serial port?	10
4.2 How to debug I2C?	10
4.3 How to debug SPI?.....	11
4.4 How to debug RS485?	12
4.5 How to debug ADC?.....	12
4.6 How to debug GPIO?	14
4.7 The corresponding relationship between ttymxc and uart.....	15
4.8 How to calculate GPIO numbers, how to use the GPIO?	15
4.9 How to enable/disable the Ethernet ports?.....	15
4.10 How to add other baud rate for serial port?	16
4.11 PWM control program.....	17
4.12 What are the LED1 & LED2 of Ethernet port for?	17
4.13 How to make MYD-6ULX support LVDS?.....	17
4.14 How to modify content of /etc/network/interface in Yocto?	19
4.15 The value is 0 when IMX6 GPIO is used as output?.....	19

4.16 How to modify the cursor?.....	19
4.17 How to modify screensaver time?.....	20
4.18 How to find the YOCTO version.....	20
4.19 How to isolate 3.3V power supply of carrier board and SoM?	20
4.20 How to modify the file system to read only?	20
4.21 How to add partitions in Nand?	21
4.22 How to add apps such as database, FTP in Yocto?.....	22
4.23 How to modify content of rc.local in Yocto?	23
4.24 How to generate ubi file system via YOCTO?	24
4.25 How to compile .c files using cross-compile toolchain?.....	24
4.26 In uboot source code, how to modify the default voltage of GPIO?.....	25
4.27 How to transfer debug serial port?	25
4.28 Linux generates random MAC, how to get constant MAC and program?	25
4.29 Is there SN in the OS of SoM?.....	26
4.30 How to set static IP address?.....	26
4.31 Software and hardware floating-point compilation at application layer.....	26
5. Some points of SoM	26
5.1 Which EIM pins does the SoM route out?.....	26
5.2 Are 3.3V power supply of USB_OTG2_VBUS and SoM related?	27
5.3 Which pin controls power supply of WiFi module on deve board?	27
5.4 How many sleep modes does the SoM has?	27
5.5 How to get the unique code of SoM?.....	28
5.6 What is the function of these pins "ON_OFF, PMIC_ON_REQ, POR_B"?	28
5.7 Why does the button cell on the dev board run out faster than usual?.....	28
5.8 Notes on EC20 4G module dialing.	29
5.9 How to modify user name and password of dev board?	29
5.10 How to read the temperature of CPU?	29

1. Set up the development environment

1.1 Requirements to the virtual machine

A: The practical using case with Windows PC is to install a virtual machine such as Oracle VM VirtualBox. The VM should have 4G memory at least, 100G hard disk approximately. Connect the VM to the internet. The internet is needed because when compiling in YOCTO, Ubuntu needs to be connected to the internet.

Yocto-downloads only contain part of the resources, other resources need to be downloaded via internet.

1.2 The recommended Ubuntu version

A: Ubuntu 16.04 64-bit release version.

1.3 How to connect PC to the serial ports of the development board?

A: Use USB-TTL serial port cable to connect PC with DEBUG serial port (JP1) on the development board. Do not use RS232 DB9 cable to connect with JP1 because the voltage of JP1 is 3.3V while the voltage from DB9 is 12V.

1.4 Naming rules of MYIR's boards and explanation of relevant DTB files

A: MYC means CPU modules. MYB means base boards (carrier boards). MYD means development boards which are consisted of CPU modules and carrier boards.

- MYC-Y6ULG2-256N256D-50-I is based on 528MHz NXP i.MX6UL G2 sub family

processors with 256MB DDR3, 256MB Nand Flash of industrial working temp.

- MYC-Y6ULY2-256N256D-50-I is based on 528MHz NXP i.MX6ULL Y2 sub family processors with 256MB DDR3, 256MB Nand Flash of industrial working temp.

Explanation of relevant DTB files:

- If you are using development boards based on i.MX6UL, modify
myd-y6ul-gpmi-weim.dtb; myb-y6ul-14x14.dts
- If you are using development boards based on i.MX6ULL, modify
myd-y6ull-gpmi-weim.dtb; myb-y6ull-14x14.dts

2. Modify and recompile the kernel, uboot, and the file system

2.1 How to modify Yocto after the source code of kernel or uboot is modified?

A: When we recompile in Yocto after the source code of kernel or uboot is modified, we need to modify commit ID of the kernel or uboot.

- How to get the commit ID of the kernel or uboot?

In the directory of the kernel or uboot:

```
git add . (commit all the modification)
git config --global user.email "your Email address" (commit the email address of the modifier)
git config --global user.name "your name" (commit the name of the modifier)
git commit -m "comment"(add comment)
git log (get the commit ID)
```

- If the kernel is modified, we need to modify the "SRCREV" under below address:

```
/home/roy/MYD-Y6ULX-devel/04-Source/fsl-release-Yocto/sources/meta-myr-imx6ulx/recipes-kernel/linux/linux-mys6ulx_4.1.15.bb
```

Example code:

```
# Copyright (C) 2013-2016 Freescale Semiconductor
# Released under the MIT license (see COPYING.MIT for the terms)
SUMMARY = "Linux Kernel for MYiR MYS6ULx board"
DESCRIPTION = "Linux Kernel provided and supported by Freescale with focus on \
i.MX Family Reference Boards. It includes support for many IPs such as GPU, VPU and IPU."
require recipes-kernel/linux/linux-imx.inc
require recipes-kernel/linux/linux-dtb.inc
DEPENDS += "lzop-native bc-native"

LOCALVERSION = "-1.2.0"
SRCREV = "d87b5be6bfc5a78cd45d8efa044fddcd7f4b2ac1"
SRCBRANCH = "mys-6ulx"
SRC_URI = "git:///${HOME}/MYiR-iMX-Linux;protocol=file;branch=${SRCBRANCH} \
          file://defconfig \
          "
DEFAULT_PREFERENCE = "1"
COMPATIBLE_MACHINE = "(mx6ull|mx6ul)"
```

- In Yocto, the directory to modify the commit ID of uboot:

```
/home/roy/MYD-Y6ULX-devel/04-Source/fsl-release-Yocto/sources/meta-myr-imx6ulx/recipes-bsp/u-boot/u-boot-mys6ulx_2016.03.bb
```

2.2 How to tailor “make menuconfig” of kernel? How to add new device?

A: Below is how to configure the kernel and how to add new device.

- 3 ways to configure the kernel:

1. make config
2. make menuconfig
3. make xconfig (QT is needed)

Either of above 3 ways works, “make menuconfig” is recommended.

Input this command in the terminal for VM to open the kernel configuration

interface: make menuconfig.

- How to operate the kernel configuration interface:

1. Pressing y to select.
2. Pressing n not to select.
3. Pressing m to make it a module.
4. Press Esc to back to upper level page.
5. Press the arrow keys to select.
6. [*] means already selected.
7. [] means not selected yet.

Generally, we tailor the kernel according to actual demand. We introduce some necessary items here.

“General setup-->System V IPC (IPC: Inter Process Communication)” is necessary. After all the necessary items have been configured, press Esc to quit, choose Yes to save.

After setting up the cross-compiler, input the command in the terminal: make. Then wait for a long period of time. After the compilation is completed, “zImage” would be generated under directory “. /arch/arm/boot/” .

- Add new device in the kernel (take LED driver for example)

Create a LED directory under “kernel\drivers\char\” , put the LED driver code in this directory.

Modify the “Makefile” in “kernel\drivers\char\” to include the LED directory: add “obj-y += led/” in the “Makefile” .

- obj-y means get “foo.o” from compiling “xx.c” or “foo.s” file and connect

“foo.o” to the kernel.

- obj-m means to compile this file as a module.

Object files except “y” and “m” won’ t be compiled.

Add “Makefile” file and “Kconfig” file to LED directory, then add below contents to these 2 files:

“Makefile” file:

```
obj-$(CONFIG_MY_LED_DRIVER) += my-led.o
```

“Kconfig” file:

```
config MY_LED_DRIVER
bool "my led driver"
default y
help
compile for leddriver, y for kernel, m for module.
```

The needed knowledge in practice is far more than we have introduced here, to read relevant books or contents online is suggested.

2.3 After compiling the kernel or uboot separately we get many files, which one to use?

A: “zImage” file under directory “~/MYiR-imx-Linux/arch/arm/boot/” is from compiling kernel.

“u-boot.imx” file under directory “~/MYiR-iMX-uboot/” is from compiling uboot.

2.4 How to find “myd-y6ull-boot-mmc0-tftp.txt”? How to use?

A: When we boot Linux from SD card using u-boot, the system would check the file “boot.scr” . When creating SD card booting file, if nand flash is used on the board,

“boot.scr” is not needed. If eMMC flash is used on the board, “boot.scr” is needed.

Generally, the content of “boot.scr” won't be modified. The content of “boot.scr” is not included in the CDs which MYIR delivers with MYD-Y6UL & 6ULL development boards, you may edit it by yourself as below.

```
setenv mmcroot '/dev/mmcblk0p2 rootwait rw rootdelay=5 mem=256M'
run mmcargs
tftpboot 0x83000000 zImage
tftpboot 0x84000000 myd-y6ull-gpmi-weim.dtb
bootz 0x83000000 - 0x84000000
```

3. Downloading and programming in the system

3.1 How to program via tftp under uboot?

A: We may use tftp to download when programming from the internet. Example code:

Configure the IP under uboot:

```
setenv ipaddr 192.168.30.106 (example only)
setenv serverip 192.168.30.103 (example only)
setenv ethaddr 00:01:03:A0:03:11 (example only)
saveenv
```

kernel:

```
tftp ${loadaddr} zImage-myd-y6ull
nand erase 0x600000 0xA00000 //to erase
nand write ${loadaddr} 0x600000 0xA00000 //to write
```

dtb:

```
tftp ${fdt_addr} zImage-myd-y6ull-14x14-gpmi-weim.dtb
nand erase 0x1000000 0x100000
nand write ${fdt_addr} 0x1000000 0x100000
```

rootfs:

```
tftp 0x85000000 rootfs.ubi (ubi file system)
nand erase 0x1100000 0x9000000
```

```
nand write.e 0x85000000 0x1100000 0x9000000
```

Please note above address bits are examples only, you may modify according to the partition of your PC.

3. When updating OS via SD card or programming with mfgtool, how to replace the files?

A: When making the files in the SD card to update OS, please choose relevant

“mfgimages-myd*” folder. There is a file named “Manifest” in each folder. In the file “Manifest” we can find the naming rules of uboot, kernel, dtb and file system.

When moving new files to “mfgimages-myd*” folder, naming rules from

“Manifest” must be obeyed.

When programming with mfgtool in Windows, the new uboot, kernel, dtb, file system files should be move to

“MYD-Y6ULX-mfgtools-20180810\Profiles\Linux\OS Firmware\files” .

3.3 How to transfer files between Windows PC / Ubuntu and the development board?

● How to connect Ubuntu to the Internet?

Run Oracle VM VirtualBox (this is what I am using, you may use other VirtualBox).

Open the settings in the supervisor, choose network, enable network connection, connection type: bridge network card, the name of the interface: Select by actual occurrence.

If you want ubuntu to use fixed IP, you may set it up in

“Ubuntu/etc/network/interface” .

Reference:

```
# interfaces(5) file used by ifup(8) and ifdown(8)
auto lo
iface lo inet loopback
auto enp0s3
iface enp0s3 inet static
address 192.168.30.109
netmask 255.255.255.0
gateway 192.168.30.1
```

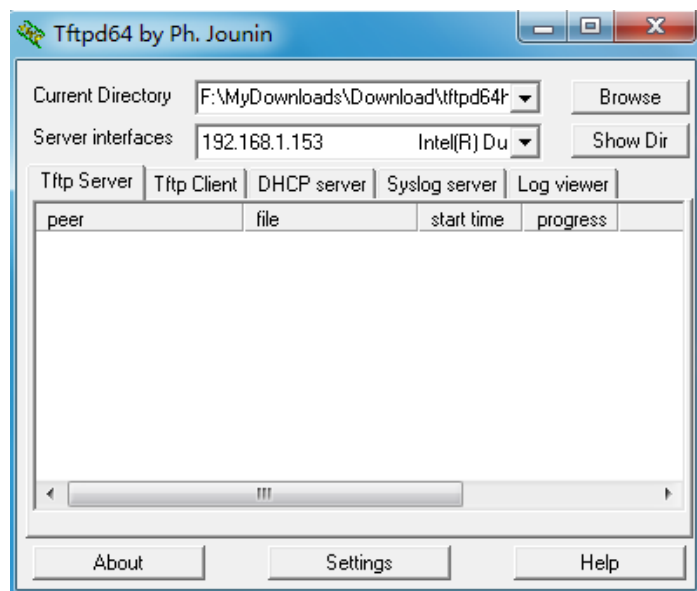
- **How to transfer files between Windows PC and the development board?**

The board and PC should be connected to the same network.

Install tftpd64.exe software on the PC.

Current Directory, choose the path to upload files.

Server interface, choose the IP of PC. Execute “tftp 192.168.1.153 -g -r test.sh” in Xshell when downloading files to the board. Execute “tftp 192.168.1.153 -p -r test.sh” when upload files from the board to PC.



3-3-1 tftpd64 Server configuration

- **How to transfer files between Ubuntu and the development board?**

The board and Ubuntu should be connected to the same network.

Execute scp file to transfer files:

```
"scp -r /home/roy/rs485 root@192.168.1.223:/home/root" .
```

Tips: this command means copy folder ubuntu/home/roy/rs485 to directory /home/root of board with IP 192.168.1.223.

4. Development of applications

4.1 How to modify if we want to use another serial port?

A: The driver is ready on the MYD-Y6UL/6ULL development board. We only need to modify dts file. The specific pin depends on practical case.

- Open the kernel source code file `"/arch/arm/boot/dts/myb-y6ull-14x14.dts"`

UART: take the example of adding UART3. Please note to delete the 2 lines about

UART3 in original dts file `"pinctrl_uart2"` because there is only 1 usage mode for 1 pin.

- In `"myb-y6ull-14x14.dts"` , add UART3 referring to existing UART.

```
pinctrl_uart3: uart3grp {          fsl,pins = <
    MX6UL_PAD_UART3_TX_DATA__UART3_DCE_TX  0x1b0b1
    MX6UL_PAD_UART3_RX_DATA__UART3_DCE_RX  0x1b0b1
    >;
};
.....
&uart3 { pinctrl-names = "default";
pinctrl-0 = <&pinctrl_uart3>;
status = "okay";
};
```

4.2 How to debug I2C?

A: Determine which pin to use according to the hardware design. Open the kernel source code file `"/arch/arm/boot/dts/myb-y6ull-14x14.dts"` .

The codes for I2C1 and I2C2 are provided in `"myb-y6ull-14x14.dts"` . So here we take the example of I2C3. Disable fec2 because I2C3 uses fec2.

```
&i2c3 {          clock-frequency = <100000>;
pinctrl-names = "default";
pinctrl-0 = <&pinctrl_i2c3>;
status = "okay";
```

```
};
.....
    pinctrl_i2c3: i2c3grp {
fsl,pins = <
MX6UL_PAD_ENET2_RX_DATA0__I2C3_SCL 0x4001b8b0
MX6UL_PAD_ENET2_RX_DATA1__I2C3_SDA 0x4001b8b0
    }
```

4.3 How to debug SPI?

A: Determine which pin to use according to the hardware design. Open the kernel source code file `"/arch/arm/boot/dts/myb-y6ull-14x14.dts"` .

Modify dts file and the following example codes. Which SPI to use and pin configuration depends on practical demand.

Enable `spi_dev` in `"make menuconfig"` .

Directory: SPI SUPPORT/User mode SPI device driver support

```
    pinctrl_ecspi1: ecspi1grp {
fsl,pins = <
        MX6UL_PAD_CSI_DATA07__ECSPI1_MISO 0x100b1
        MX6UL_PAD_CSI_DATA06__ECSPI1_MOSI 0x100b1
        MX6UL_PAD_CSI_DATA04__ECSPI1_SCLK 0x100b1
    >;
};

    pinctrl_ecspi1_cs: ecspi1cs {
fsl,pins = <
        MX6UL_PAD_CSI_DATA05__GPIO4_IO26 0x80000000
    >;
};
.....
&ecspi1 {
compatible = "fsl,imx6ul-ecspi";
fsl,spi-num-chipselects = <1>;
cs-gpios = <&gpio4 26 0>;
pinctrl-names = "default";
pinctrl-0 = <&pinctrl_ecspi1 &pinctrl_ecspi1_cs>;
status = "okay";

spidev@0x00{
    #address-cells=<1>;
    #size-cells=<1>;
```

```
compatible = "spidev";
spi-max-frequency = <8000000>;
reg = <0>;
};
};
```

4.4 How to debug RS485?

A: Determine which pin to use according to the hardware design. Open the kernel source code file `"/arch/arm/boot/dts/myb-y6ull-14x14.dts"` .

Example code:

```
pinctrl_uart3: uart3grp {
    fsl,pins = <
        MX6UL_PAD_UART3_RX_DATA__UART3_DCE_RX    0x1b0b1
        MX6UL_PAD_UART3_TX_DATA__UART3_DCE_TX    0x1b0b1
        /* MX6UL_PAD_UART1_CTS_B__GPIO1_IO18      0x1b0b1 RS485 RE/DE */
    >;
};

.....
&uart3 {
    pinctrl-names = "default";
    pinctrl-0 = <&pinctrl_uart3>;
    fsl,rs485-gpio-txen = <&gpio1 18 GPIO_ACTIVE_HIGH>;
    linux,rs485-enable-at-boot-time;
    status = "okay";
};
```

4.5 How to debug ADC?

A: Determine which pin to use according to the hardware design. Open the kernel source code file `"/arch/arm/boot/dts/myb-y6ull-14x14.dts"` .

```
regulators {
    compatible = "simple-bus";
    #address-cells = <1>;
    #size-cells = <0>;
    reg_can_3v3: regulator@0 {
        compatible = "regulator-fixed";
        reg = <0>;
        regulator-name = "can-3v3";
        regulator-min-microvolt = <3300000>;
```

```

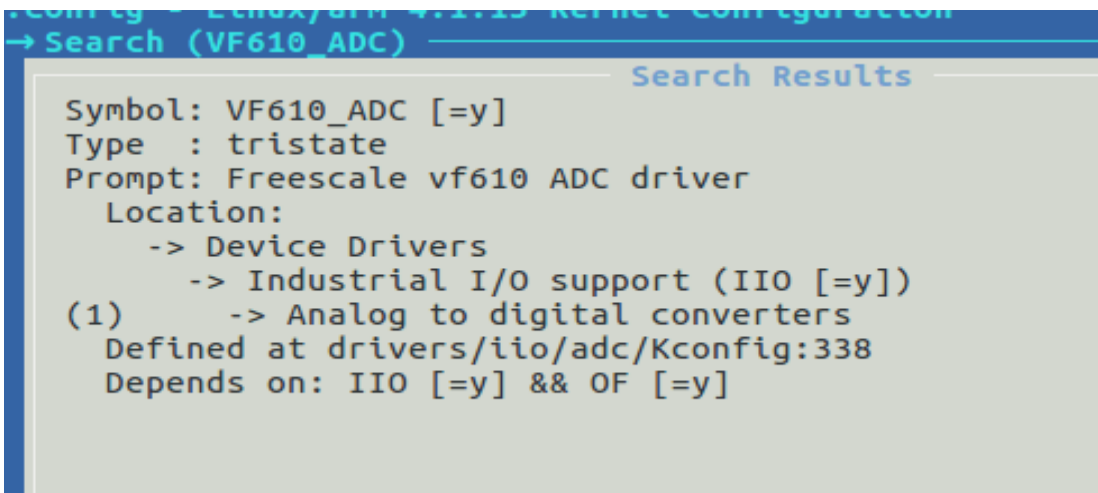
        regulator-max-microvolt = <3300000>;
    };
    reg_vref_3v3: regulator@3 {
        compatible = "regulator-fixed";
        regulator-name = "vref-3v3";
        regulator-min-microvolt = <3300000>;
        regulator-max-microvolt = <3300000>;
    }
}

pinctrl_adc1: adc1grp {
    fsl,pins = <
        MX6UL_PAD_GPIO1_IO01__GPIO1_IO01        0xb0
    >;
};

.....
&adc1 {
    pinctrl-names = "default";
    pinctrl-0 = <&pinctrl_adc1>;
    num-channels = <1>;
    vref-supply = <&reg_vref_3v3>;
    status = "okay";
};

```

Enable iio and vf610_adc through "make menuconfig", then compile to generate new kernel and dtb file.



4-5-1 Enable VF610_ADC in kernel


```

Search Results
Symbol: IIO [=y]
Type : tristate
Prompt: Industrial I/O support
Location:
(1) -> Device Drivers
Defined at drivers/iio/Kconfig:5
Selects: ANON_INODES [=y]
Selected by: RTC_DRV_HID_SENSOR_TIME [=n] && RTC_CLASS [=y] && USB_HID [=y]
    
```

4-5-2 Enable IIO in kernel

Then read value and set parameters from directories including

```
"/sys/bus/iio/devices/iio\device0/"
```

4.6 How to debug GPIO?

A: Determine which pin to use according to the hardware design. Open the kernel source code file `"/arch/arm/boot/dts/myb-y6ull-14x14.dts"` .

GPIO: set LCD_DATA0 as GPIO.

```

&iomuxc {
    pinctrl-names = "default";
    pinctrl-0 = <&pinctrl_hog_1>;
    imx6ul-evk {
        pinctrl_hog_1: hoggrp-1 {
            fsl,pins = <
                MX6UL_PAD_UART1_RTS_B__GPIO1_IO19 0x17059 /* SD1 CD */
                MX6UL_PAD_JTAG_MOD__GPIO1_IO10      0x17059 /* WiFi module power */
                MX6UL_PAD_NAND_CE1_B__GPIO4_IO14 0x17059 /* LTE Reset */
                MX6UL_PAD_GPIO1_IO00__ANATOP_OTG1_ID 0x17059 /* USB OTG1 ID */
                MX6UL_PAD_GPIO1_IO09__GPIO1_IO09 0x1b0b0 /* LCD_DISP */
                MX6UL_PAD_GPIO1_IO02__GPIO1_IO02      0x10b1
                MX6UL_PAD_LCD_DATA00__GPIO3_IO05      0x1b0b0 (Set LCD_DATA0 as
GPIO)
            .....
            &lcdif {
                pinctrl-names = "default";
                pinctrl-0 = <&pinctrl_lcdif_dat_16bits
                    &pinctrl_lcdif_ctrl
                    &pinctrl_lcdif_reset>;
                display = <&display0>;
                status = "disabled"; (Disable previous usage of LCD_DATA0)
            }
        }
    }
}
    
```

After above modification to dts file, load the tool chain to compile.

4.7 The corresponding relationship between ttymxc and uart

A: UART1 corresponds to ttymxc0

UART2 corresponds to ttymxc1

UART3 corresponds to ttymxc2

...

4.8 How to calculate GPIO numbers, how to use the GPIO?

A: Make sure the GPIO in dts is not used before using the GPIO. Define the GPIO in dts, generate new dtb, program it to the board, then the board is able to input and output via the GPIO.

Calculation formula for GPIO number: $(n-1)*32 + m$

Examples:

LCD_DATA14 is gpio3.io19.

$(M-1)*32+n = (3-1)*32+19=83$

Set GPIO to output, set high/low voltage of GPIO:

echo 83 > /sys/class/gpio/export	(Set the GPIO number)
echo out > /sys/class/gpio/gpio83/direction	(Set GPIO to output)
cat /sys/class/gpio/gpio10/value	(Check the high/low voltage of GPIO)
echo 0 > /sys/class/gpio/gpio10/value	(Set high/low voltage of GPIO)

4.9 How to enable/disable the Ethernet ports?

A: The eth0 is brought out from MYC-Y6ULX CPU module directly. If only one Ethernet port is needed, we may disable other Ethernet ports in dts. Meanwhile, you

need to move the configuration for mdio in dts to the ethernet port which you want to use.

Two RJ45 connectors on MYD-6ULX board: CN2 is eth0, CN1 is eth1.

Example code for modifying one Ethernet port:

```
&fec1 {
    pinctrl-names = "default";
    pinctrl-0 = <&pinctrl_enet1>;
    phy-mode = "rmii";
    phy-handle = <&ethphy0>;
    phy-reset-gpios = <&gpio5 9 GPIO_ACTIVE_LOW>;
    phy-reset-duration = <26>;
    status = "okay";
    mdio {
        #address-cells = <1>;
        #size-cells = <0>;
        ethphy0: ethernet-phy@0 {
            compatible = "ethernet-phy-ieee802.3-c22";
            smsc,disable-energy-detect;
            reg = <0>;
        };
    };
};
```

4.10 How to add other baud rate for serial port?

A: Add kernel source code in `"/driver/tty/serial/serial_core.c"` . Example code:

```
...
static const struct baud_rates baud_rates[] = {
    { 921600, B921600 },
    { 460800, B460800 },
    { 230400, B230400 },
    { 115200, B115200 },
    { 57600, B57600 },
    { 38400, B38400 },
    { 19200, B19200 },
    { 9600, B9600 },
    { 4800, B4800 },
    { 2400, B2400 },
    { 1200, B1200 },
    { 0, B38400 }
};
...
```

4.11 PWM control program

A: We only provide the output configuration of PWM below, this is not enough, you need to add PWM node according to the pin you used by modifying dts.

```

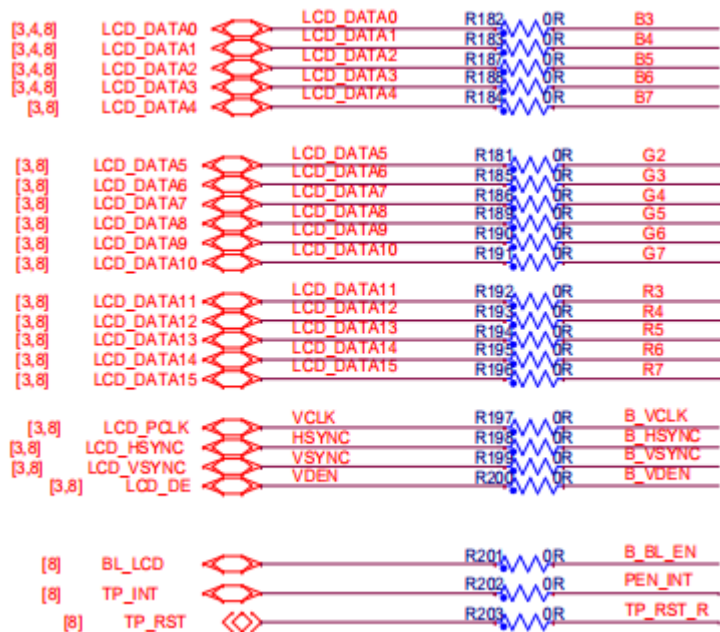
echo 100000 > /sys/class/pwm/pwmchip0/pwm0/period
echo 50000 > /sys/class/pwm/pwmchip0/pwm0/duty_cycle
echo 0 > /sys/class/pwm/pwmchip1/export
echo 100000 > /sys/class/pwm/pwmchip1/pwm0/period
echo 50000 > /sys/class/pwm/pwmchip1/pwm0/duty_cycle
echo 0 > /sys/class/pwm/pwmchip2/export
echo 100000 > /sys/class/pwm/pwmchip2/pwm0/period
echo 50000 > /sys/class/pwm/pwmchip2/pwm0/duty_cycle
echo 0 > /sys/class/pwm/pwmchip3/export
echo 100000 > /sys/class/pwm/pwmchip3/pwm0/period
echo 50000 > /sys/class/pwm/pwmchip3/pwm0/duty_cycle
    
```

4.12 What are the LED1 & LED2 of Ethernet port for?

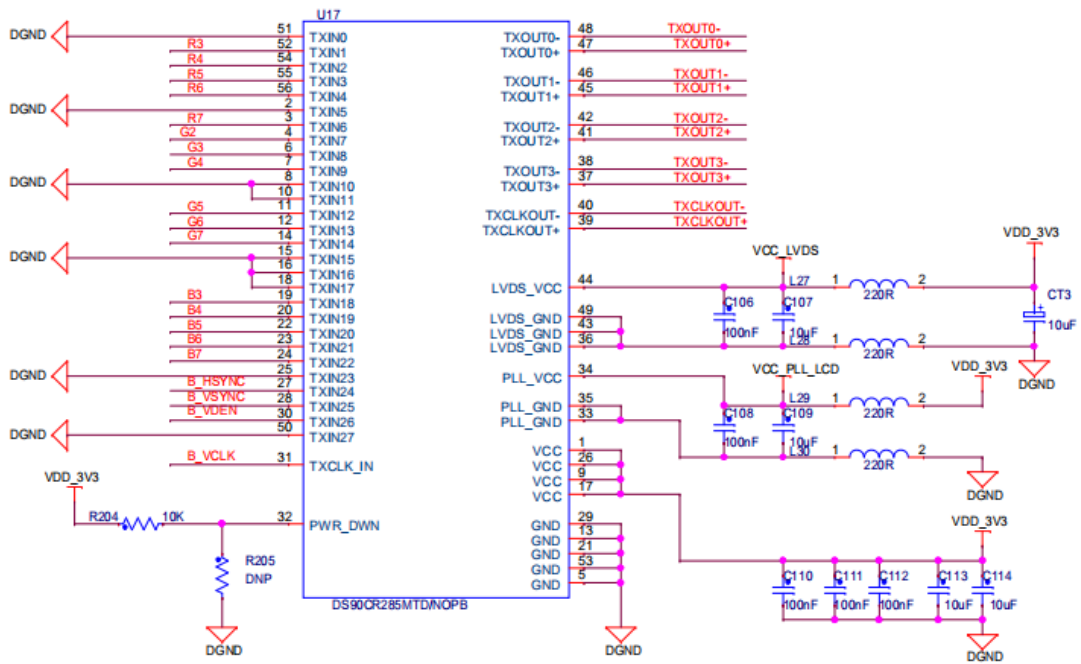
A: LED1: data transmission indicator (green). LED2: connection indicator (orange).

4.13 How to make MYD-6ULX support LVDS?

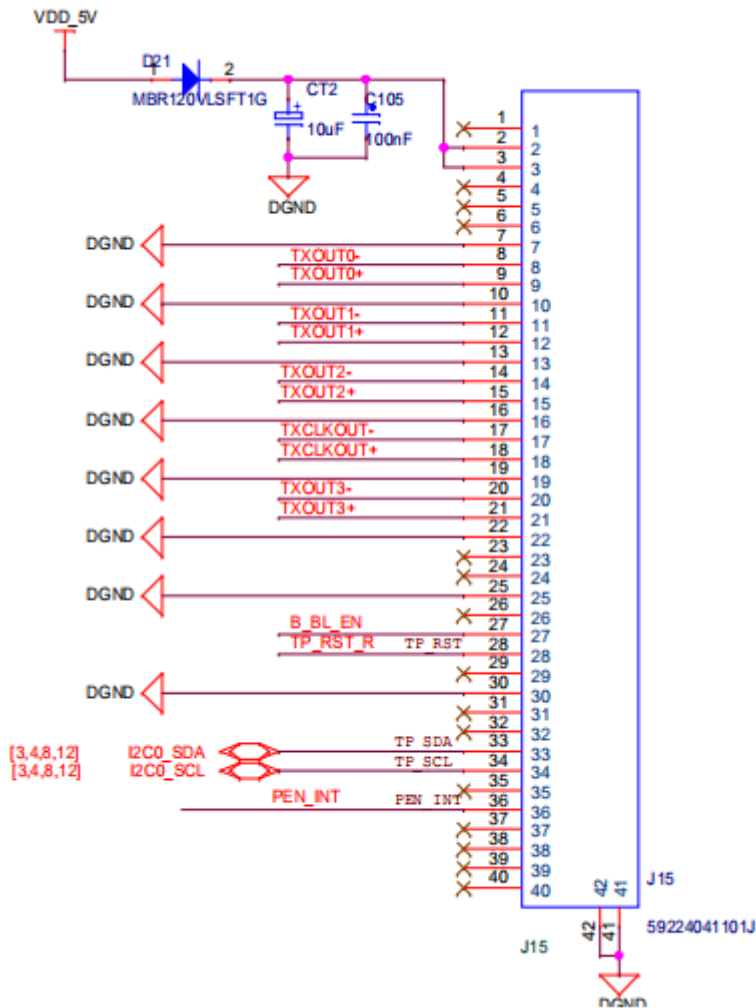
A: Convert RGB to LVDS. Below circuit designs are for your reference.



4-13-1 Example circuit 1



4-13-2 Example circuit 2



4-13-3 Example circuit 3

4.14 How to modify content of /etc/network/interface in Yocto?

A: Modify from below file path in Yocto:

```
~/MYD-Y6ULX-devel/04-Source/fsl-release-yocto/sources/poky/meta/recipes-core/  
init-ifupdown/init-ifupdown-1.0/interfaces
```

4.15 The value is 0 when IMX6 GPIO is used as output?

A: Configure SION.

Example of DTS configuration:

```
&iomux {  
    pinctrl-name = "default";  
    pinctrl-0 = <&pinctrl_hog_1>;  
    imx6ul-evk {  
        ...  
        /* Configuring the 29th bit value as 4 means configure SION. */  
        MX6UL_PAD_GPIO1_IO09__GPIO1_IO09    0x40017059  
        ...  
    };
```

4.16 How to modify the cursor?

A: Connect the board with LCD, run OS without QT. The top left corner of the display appears to be missing.

That is not something missing, that is the cursor flashing.

To modify the cursor:

Modify files in the Linux kernel: drivers/video/console/fbcon.c

Remove cursor flashing:

Change the function "static void fbcon_cursor(struct vc_data *vc, int mode)" to empty.

Remove cursor display:

Change the function `static void fb_flashcursor(struct work_struct *work)` to empty.

4.17 How to modify screensaver time?

A: The screensaver time can be set to 10 min, the screensaver can also be canceled by modify driver source code.

Find `/MYiR-iMX-Linux/drivers/tty/vt/vi vt.c`

1. `static int vesa_blank_mode; /* 0:none 1:suspendV 2:suspendH 3:powerdown */`
2. `static int vesa_off_interval;`
3. `//static int blankinterval = 10*60;`
4. `static int blankinterval = 0;`

Initialize `blankinterval` to 0, then compile the new kernel and burn.

4.18 How to find the YOCTO version

A: Path: `source/poky/meta-poky/conf/distro/poky.conf`.

4.19 How to isolate 3.3V power supply of carrier board and SoM?

A: They can be isolated by using voltage regulator IC (RT9018A/B) with PG signal.

First power the SoM normally, then use PG signal to let the carrier board be powered.

4.20 How to modify the file system to read only?

A: Modify the loading mode of the system.

In `/etc/init.d/checkroot.sh`, modify `"rootmode=rw rootopts=rw"` to `ro`.

4.21 How to add partitions in Nand?

A: There are 5 partitions by now. If you want to add 2 partitions, please open
 ~/MYiR-iMX-uboot/include/configs\ myd_y6ull.h and modify as below arrows.

```

96 #define CONFIG_SYS_NRC_IMG_LOAD_PART 1
97
98 #ifdef CONFIG_SYS_BOOT_NAND
99 #define CONFIG_MFG_NAND_PARTITION "ntdparts=gpmi-nand:5m(boot),1m(env),10m(kernel),1m(dtb),120m(rootfs),50m(usrdata1),-(usrdata2) "
100 #else
101 #define CONFIG_MFG_NAND_PARTITION ""
102 #endif
103
104 #define CONFIG_MFG_ENV_SETTINGS \
105     "mfgtool_args=setenv bootargs console=${console},${baudrate} " \
106     CONFIG_BOOTARGS_CMA_SIZE \
107     "rdinit=/linuxrc " \
108     "g_mass_storage.stall=0 g_mass_storage.removable=1 " \
109     "g_mass_storage.file=/fat g_mass_storage.ro=1 " \
110     "g_mass_storage.idVendor=0x066F g_mass_storage.idProduct=0x37FF " \
111     "g_mass_storage.iSerialNumber=\"" " \
112     CONFIG_MFG_NAND_PARTITION \
113     "clk_ignore_unused " \
114     "\0" \
115     "initrd_addr=0x83000000\0" \
116     "initrd_high=0xffffffff\0" \
117     "bootcmd_mfg=run mfgtool_args;boot ${loadaddr} ${initrd_addr} ${fdt_addr};\0" \
118
119 #if defined(CONFIG_SYS_BOOT_NAND)
120 #define CONFIG_NAND_MTDPARTS "gpmi-nand:5m(boot),1m(env),10m(kernel),1m(dtb),120m(rootfs),50m(usrdata1),-(usrdata2)"
121 #define CONFIG_EXTRA_ENV_SETTINGS \
122     CONFIG_MFG_ENV_SETTINGS \
123     "script=boot.scr"

```

4-21-1 Reference code

Then load the cross tool chain, source

/opt/myir-imx-meta/4.1.15-2.0.1/environment-setup-cortexa7hf-neon-poky-linux-gnueabi
 compile:

```

make distclean
make myd_y6ull_14x14_nand_defconfig (choose different config according to the Part No. of your SoM)
make

```

Copy u-boot.imx to

```

ManufactoryTool\MYD-Y6ULX-mfgtools-20180810\Profiles\Linux\OS Firmware\files

```

and

```

ManufactoryTool\MYD-Y6ULX-mfgtools-20180810\Profiles\Linux\OS Firmware\firmware

```

to replace the original uboot file (Please note to choose the file relevant to the Part No. of your SoM).

Uboot, kernel and dtb file from firmware folder would be downloaded to DDR of dev board, the purpose is to run Linux OS from DDR and get ready for programming.

The files in files folder needs to be programmed to flash memory after OS runs. If you want to program via USB, please execute "nand erase.chip" in uboot, restart the dev board, then choose relevant vbs file to program.

Allocating more storage space for rootfs partition is recommended.

4.22 How to add apps such as database, FTP in Yocto?

A: Method to add ftp, sqlite3 in file system:

Use YOCTO source code which MYIR provides, modify in file system of QT.

Add vsftpd, ftp, sqlite3 in

```
sources/meta-myr-imx6ulx/recipes-fsl/images/fsl-image-qt5.bbappend
```

Reference:

```
DESCRIPTION = "Freescale Image - Adds Qt5"
LICENSE = "MIT"
inherit populate_sdk_qt5
require recipes-fsl/images/fsl-image-qt5-validation-imx.bb
IMAGE_FEATURES += "package-management ssh-server-dropbear "
IMAGE_INSTALL += " \
    imx-kobs \
    tslib \
    tslib-calibrate \
    tslib-conf \
    tslib-tests \
    memtester \
    bzip2 \
    gzip \
    canutils \
    dosfstools \
    mtd-utils \
    mtd-utils-ubifs \
    ntpdate \
    vlan \
    tar \
    net-tools \
    ethtool \
    evtest \
    i2c-tools \
    iperf3 \
```

```

iproute2 \
iputils \
udev-extraconf \
iperf \
openssl \
v4l-utils \
alsa-utils \
ppp \
ppp-questel \
sqlite3 \
libmodbus \
libxml2 \
dbus \
openobex \
hostapd \
iptables \
vsftpd \
openobex \
myir-rc-local \

```

```

${@base_contains("MACHINE", "mys6ull14x14", "rtl8188eu-driver", "", d)} \

```

Below is the path to modify core-base file system.

```

sources/meta-myir-imx6ulx/recipes-core/images/core-image-base.bbappend

```

Rebuild file system after adding (refer to the Development Manual), then the new file system would include these apps.

4.23 How to modify content of rc.local in Yocto?

A: Path to modify

```

sources/meta-myir-imx6ulx/recipes-myir/myir-rc-local/myir-rc-local/rc.local.etc

```

Reference:

```

#!/bin/sh -e
#
# rc.local
#
# This script is executed at the end of each multiuser runlevel.
# Make sure that the script will "exit 0" on success or any other
# value on error.
#

```

```
# In order to enable or disable this script just change the execution
# bits.
#
# By default this script does nothing.
# demo start
export TSLIB_TSDEVICE=/dev/input/event1
#ts_calibrate && ts_test &
export TSLIB_TSDEVICE=/dev/input/event1
export TSLIB_CONFFILE=/etc/ts.conf
export TSLIB_CALIBFILE=/etc/pointercal
export TSLIB_PLUGINDIR=/usr/lib/ts
export TSLIB_CONSOLEDEVICE=none
export QT_QPA_FB_TSLIB=1
export QT_QPA_GENERIC_PLUGINS=tslib:/dev/input/event1
#To add command, display current time
date
exit 0
```

4.24 How to generate ubi file system via YOCTO?

A:

```
+++ b/sources/meta-myr-imx6ulx/conf/distro/include/myir-imx-base.inc
@@ -15,7 +15,14 @@ LOCALCONF_VERSION = "1"
IMX_DEFAULT_DISTRO_FEATURES = "largefile opengl ptest multiarch bluez"
IMX_DEFAULT_EXTRA_RDEPENDS = "packagegroup-core-boot"
IMX_DEFAULT_EXTRA_RRECOMMENDS = "kernel-module-af-packet"
-IMAGE_FSTYPES = "tar.bz2 tar.xz ext4 sdcard"
+IMAGE_FSTYPES = "tar.bz2 tar.xz ext4 sdcard ubi"
+
+# Use the expected value of the ubifs filesystem's volume name in the kernel
+UBI_VOLNAME = "rootfs"
+# The biggest NANDs on current modules are 256MB.
+# This sums up to 2048 LEBs available for the ubifs (-c)
+MKUBIFS_ARGS = "-F -m 2048 -e 126976 -c 2048"
+UBINIZE_ARGS = "-m 2048 -p 128KiB -s 2048 -O 2048"
```

4.25 How to compile .c files using cross-compile toolchain?

A: Refer to `$CC -o test test.c`

4.26 In uboot source code, how to modify the default voltage of GPIO?

A: In uboot/board/myir/myd_y6ull/myd_y6ull.c

Reference code:

```
/* WiFi Reset */
gpio_direction_output(IMX_GPIO_NR(4, 16) , 0);
udelay(3000);
gpio_direction_output(IMX_GPIO_NR(4, 16) , 1);
/* LCD Power */
imx_iomux_v3_setup_multiple_pads(lcd_pwr_pads, ARRAY_SIZE(lcd_pwr_pads));
gpio_direction_output(IMX_GPIO_NR(3, 4) , 1);
/* LTE module */
imx_iomux_v3_setup_multiple_pads(lte_pwr_pads, ARRAY_SIZE(lte_pwr_pads));
/* LTE wakeup */
gpio_direction_output(IMX_GPIO_NR(5, 8) , 1);
/* LTE power */
gpio_direction_output(IMX_GPIO_NR(5, 5) , 1);
/* LTE reset */
gpio_direction_output(IMX_GPIO_NR(4, 14) , 1);
udelay(150000);
gpio_direction_output(IMX_GPIO_NR(4, 14) , 0);
```

4.27 How to transfer debug serial port?

A: Modify source code of uboot, modify environment variable

“bootargs=console=ttymxc0” , modify “ttymxc0” to other serial port.

4.28 Linux generates random MAC, how to get constant MAC and program?

A: Buy MAC from IEEE, then program it into fuse of chip. The fuse can only be programmed once, please note this point. If the fuse is programmed wrongly, it may affect OS startup.

4.29 Is there SN in the OS of SoM?

A: No.

4.30 How to set static IP address?

A: Modify /etc/network/interfaces as below.

```
# Wired or wireless interfaces
auto eth0
auto eth1
iface eth1 inet dhcp
iface eth0 inet static
address 192.168.30.122
netmask 255.255.255.0
gateway 192.168.30.1
```

Note: IP is just for reference.

4.31 Software and hardware floating-point compilation at application layer

A: Kernel of IMX6UL doesn't support floating-point calculation, it can be used at application layer. Below is the method for reference.

Hardware floating-point cross-compilation:

```
$CC -mfloat-abi=hard -o test test.c
```

Add compile parameter "-mfloat-abi=hard,"

Software floating-point cross-compilation:

```
$CC -o test_soft test.c
```

5. Some points of SoM

5.1 Which EIM pins does the SoM route out?

A: weim.AD[0-7]; weim.ADDR[18-26]; weim.DATA[0-15], only 8bit peripherals are supported.

5.2 Are 3.3V power supply of USB_OTG2_VBUS and SoM related?

A: USB_OTG2_VBUS is powered-up earlier than VDD_3V3. The SoM doesn't have requirement on power-up sequence.

5.3 Which pin controls power supply of WiFi module on deve board?

A: Pin 28 of SoM, can be modified in

uboot/board/myir/myd_y6ull/myd_y6ull.c

```
63 gd->bd->bi_boot_params = PHYS_SDRAM + 0x100;
64
65 /* WiFi Power */
66 imx_iomux_v3_setup_multiple_pads(wifi_pwr_pads, ARRAY_SIZE(wifi_pwr_pads));
67 gpio_direction_output(IMX_GPIO_NR(1, 10), 0);
68
69 /* WiFi Reset */
```

5-3-1 Reference code

5.4 How many sleep modes does the SoM has?

A: 3.

```
root@myd-y6ull14x14:/sys/power# cat state
```

freeze standby mem

Set the OS into sleep mode by commands:

```
echo "standby" > /sys/power/state
```

or

```
echo "mem" > /sys/power/state
```

5.5 How to get the unique code of SoM?

A:

```
root@myd-y6ul14x14:~# cat /sys/fsl_otp/HW_OCOTP_CFG0
```

```
0xea9b89da
```

```
root@myd-y6ul14x14:~# cat /sys/fsl_otp/HW_OCOTP_CFG1
```

```
0x343f19d4
```

5.6 What is the function of these pins "ON_OFF, PMIC_ON_REQ, POR_B"?

A:

ON_OFF: Power on and power off. A long press on button makes PMIC_ON_REQ low value, output low voltage and the SoM power off.

PMIC_ON_REQ: After CPU is powered on, this pin outputs high-level voltage to control peripheral power of carrier board.

POR_B: reset pin, the OS resets when this pin outputs low-level voltage.

5.7 Why does the button cell on the dev board run out faster than usual?

A: The button cell power mainly supplies power to SNVS domain. SNVS_TAMPER0 is used for controlling GPIO. The button cell runs out faster because of pull-down resistor connected to GPIO.

There is RTC inside CPU, pin VBAT is connected to button sell. The button cell not only supplies power for RTC but also for others (you may check details in specification of CPU). The button cell would run out slower if an external RTC (e.g. pcf8563) is added.

5.8 Notes on EC20 4G module dialing.

A: Please wait after run "ifup ppp0" , ppp0 would be generated only if dialing is successful. "ifconfig -a" is used for checking if dialing is successful.

5.9 How to modify user name and password of dev board?

A: User name can be modified in /etc/hostname.

Password can be modified by updating following 3 files of file system " /etc/passwd,/etc/group,/etc/shadow" .

A simple way: Copy above 3 files from "/etc/" of Ubuntu to file system of dev board, then the user name and password would be the same with Ubuntu.

5.10 How to read the temperature of CPU?

A: cat /sys/class/thermal/thermal_zone0/temp

The value divided by 1000 is the Celsius temperature of CPU.



MYIR Tech Limited

Room 04, 6th Floor, Building No.2, Fada Road, Yunli Smart Park,
Bantian, Longgang District, Shenzhen, Guangdong, China 518129

E-mail: sales@myirtech.com (Sales Team)

support@myirtech.com (Support Team)

Phone: +86-755-22984836

Fax: +86-755-25532724

Website: <http://www.myirtech.com>