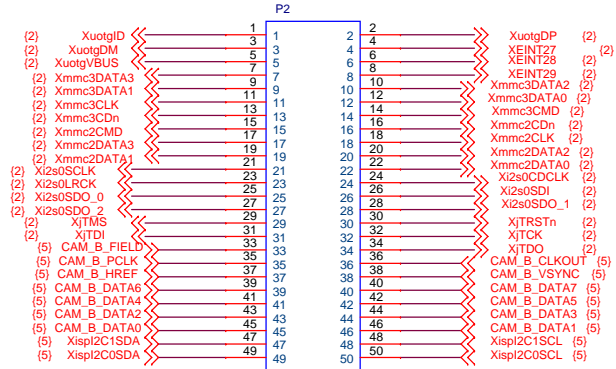


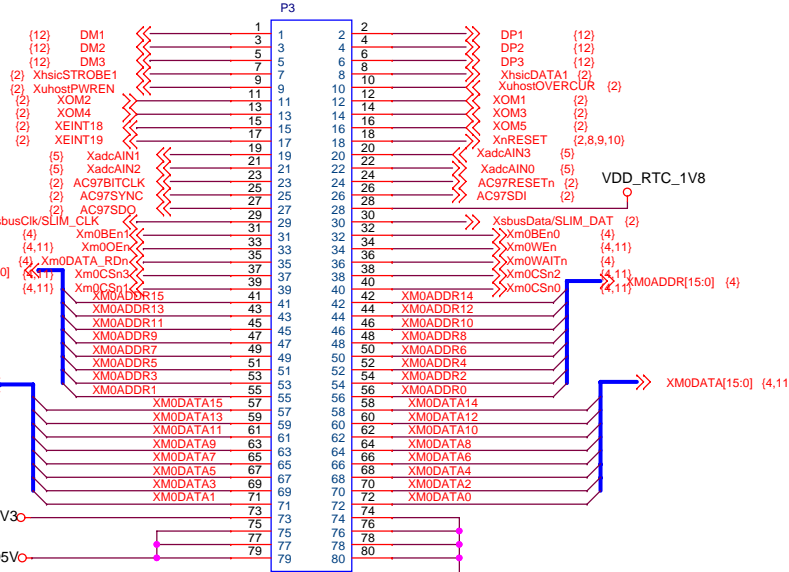
DIP40X2

DIP2\_40



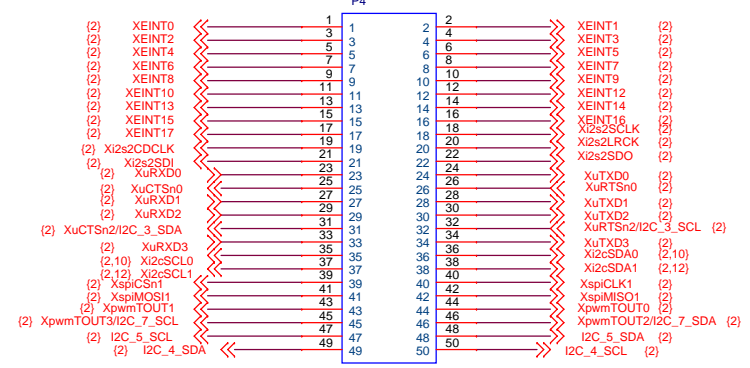
DIP25X2

DIP2\_25



DIP40X2

DIP2\_40



DIP25X2

DIP2\_25