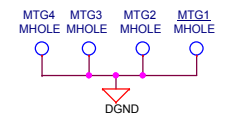
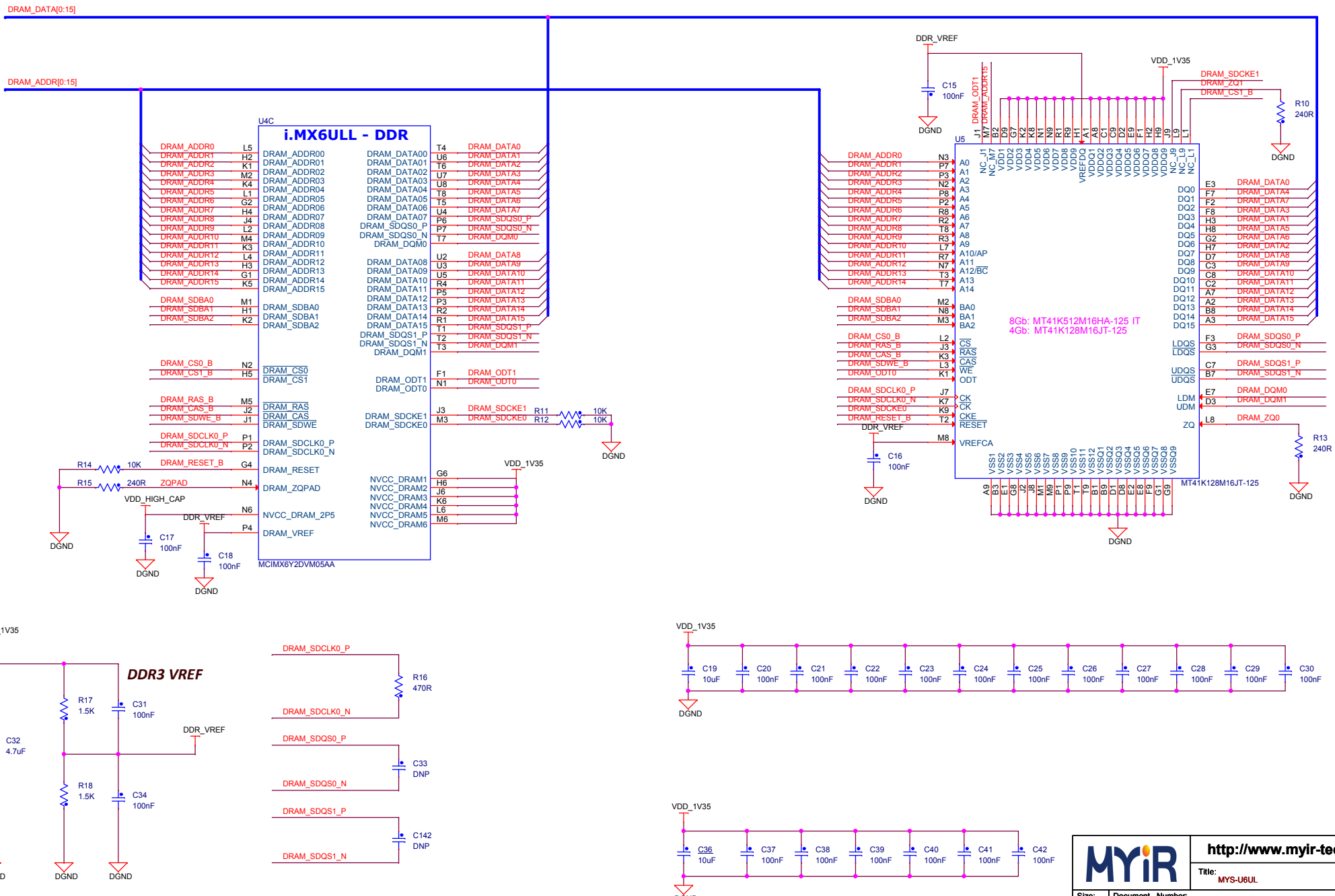


**Power supply**



# DDR3/LvDDR3

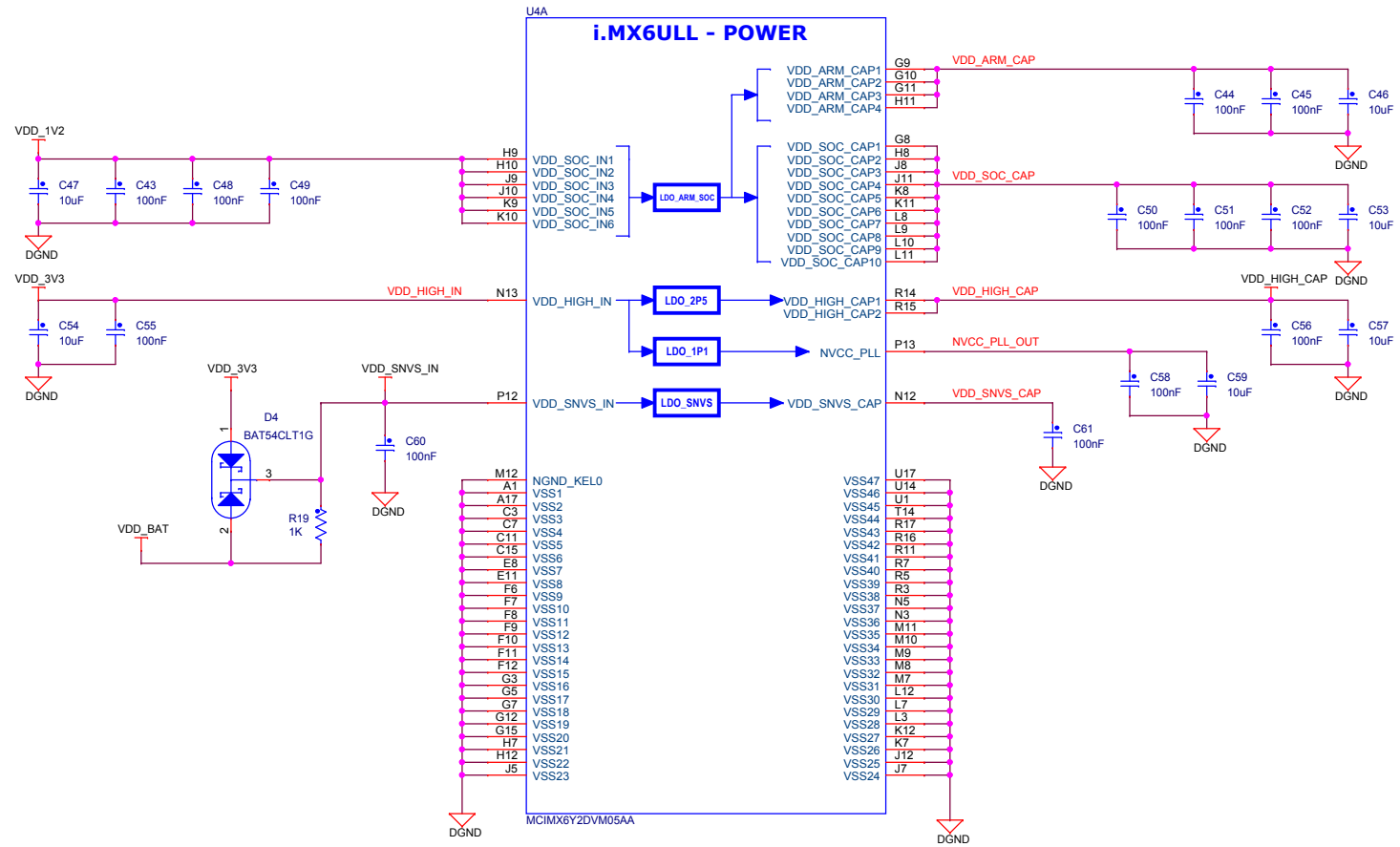


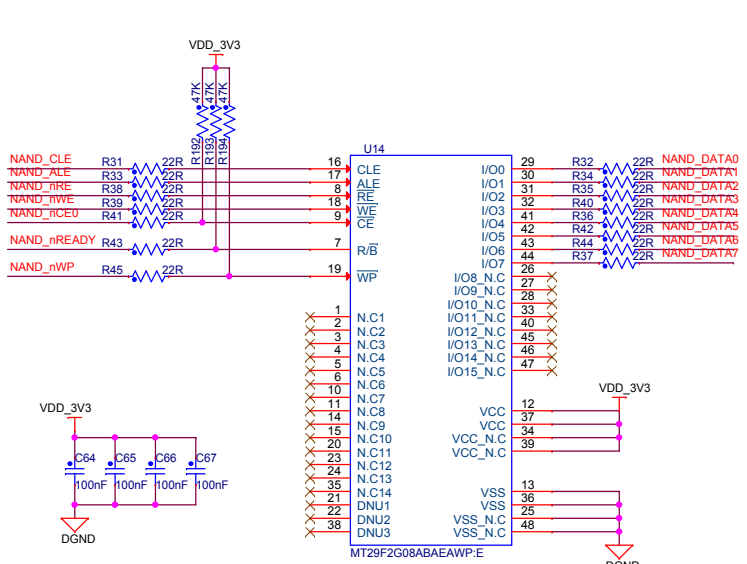
**MYIR** <http://www.myir-tech.com>

Title: MYS-U6UL

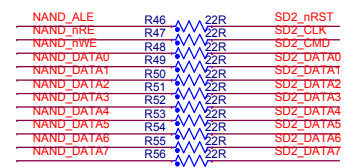
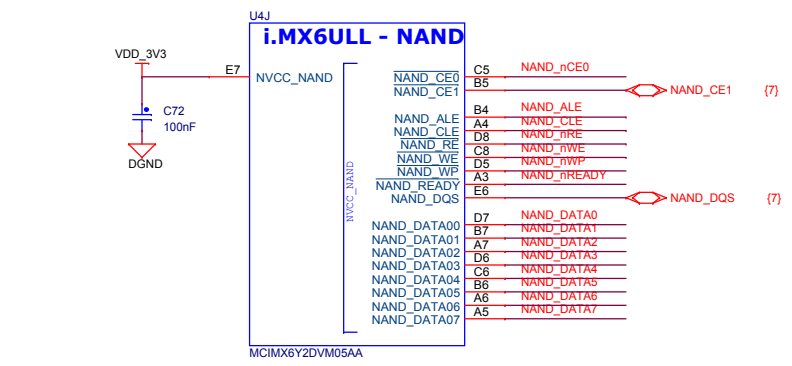
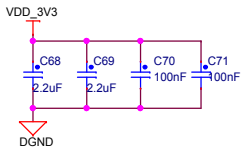
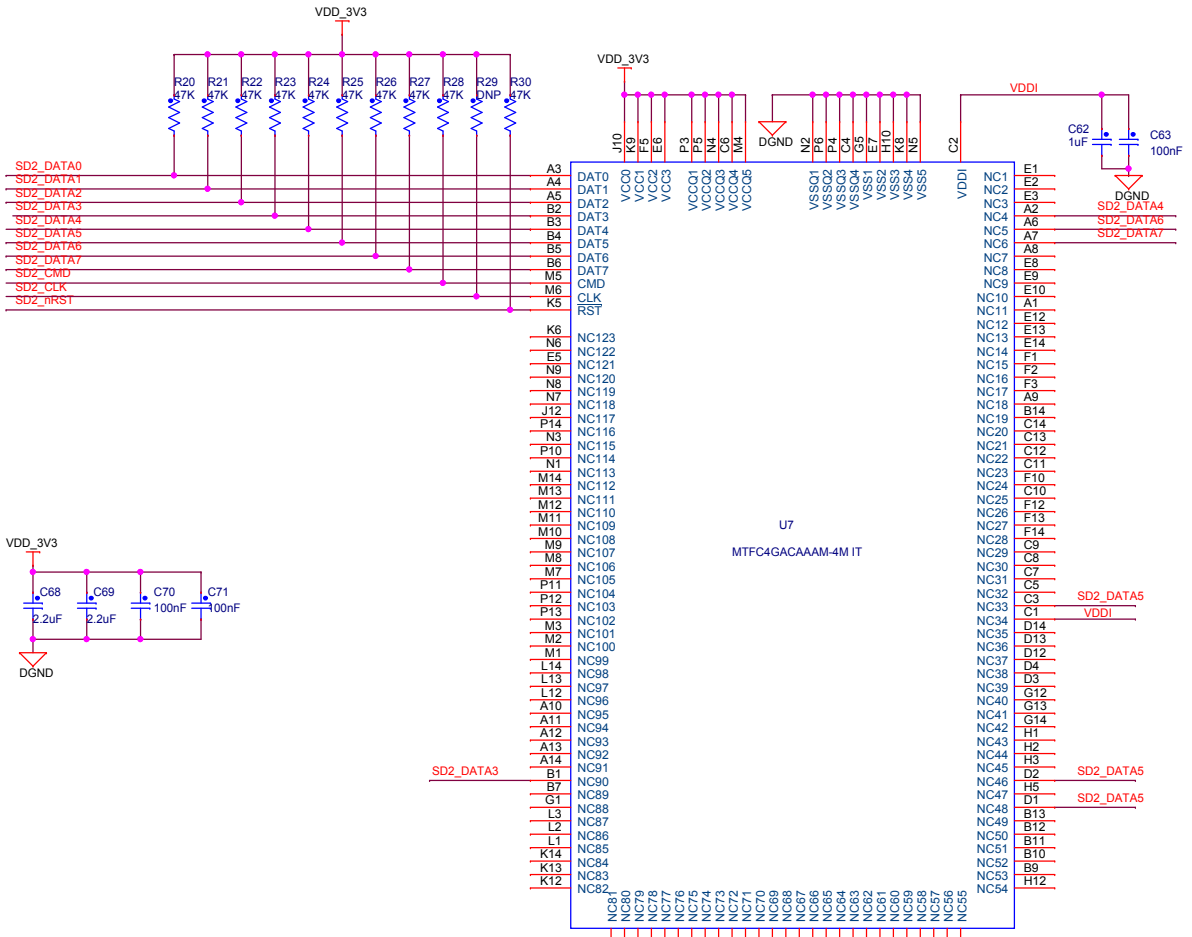
Size: A3	Document Number: IMXGUL-DDR3	Rev: V1.0
Draw By: MYIR	Date: Friday, March 24, 2017	Sheet: 3 of 12

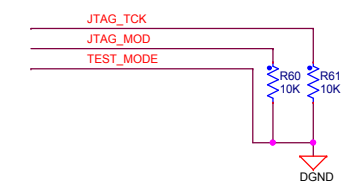
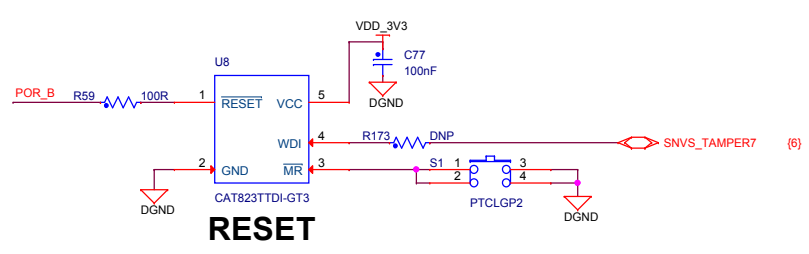
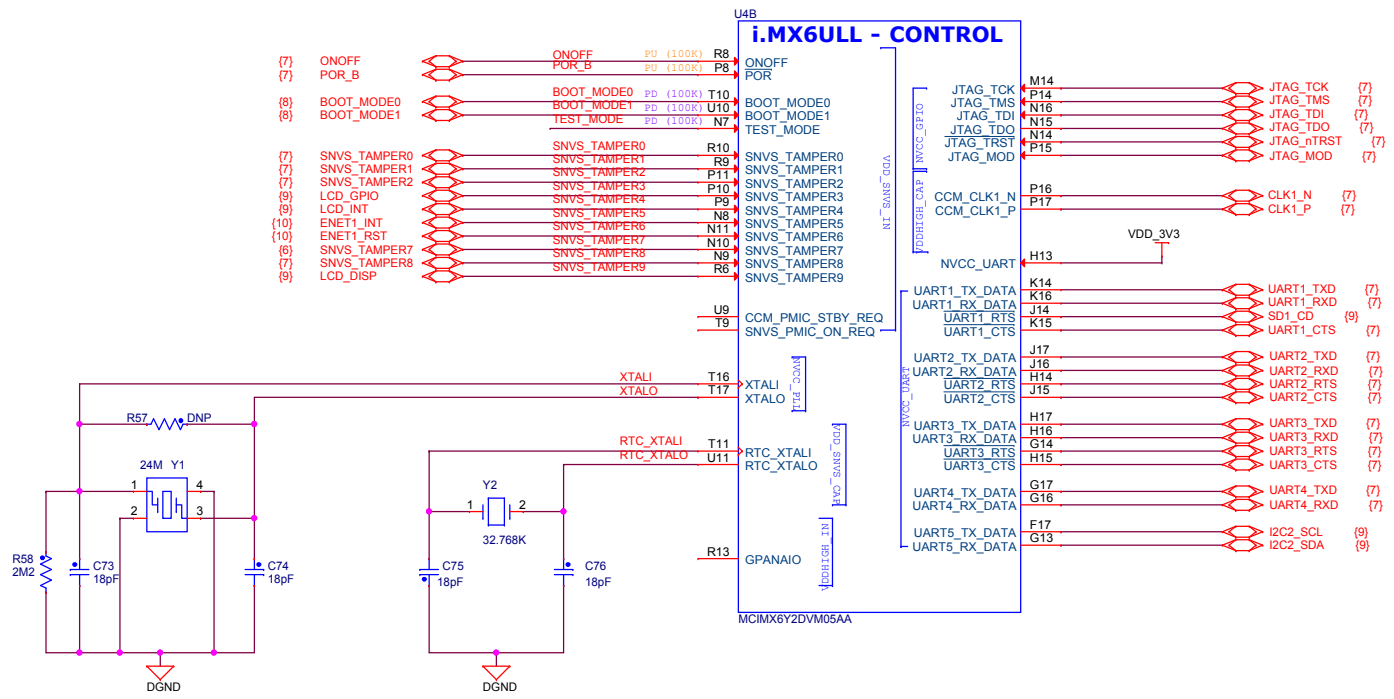
# i.MX6ULL PWR

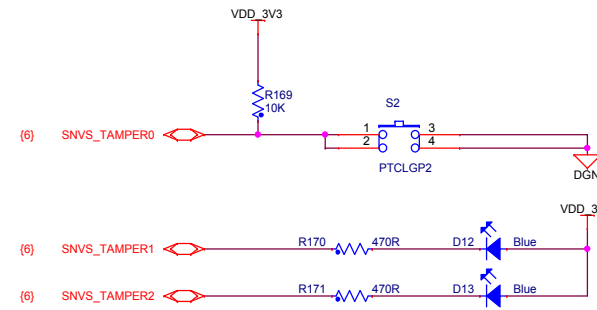
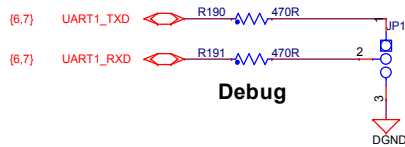
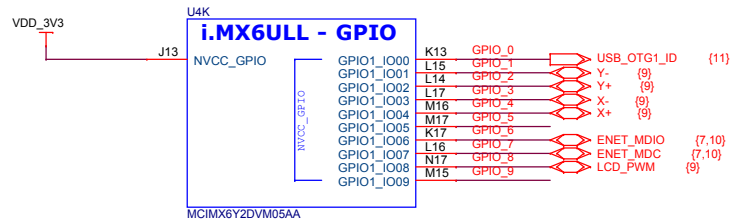
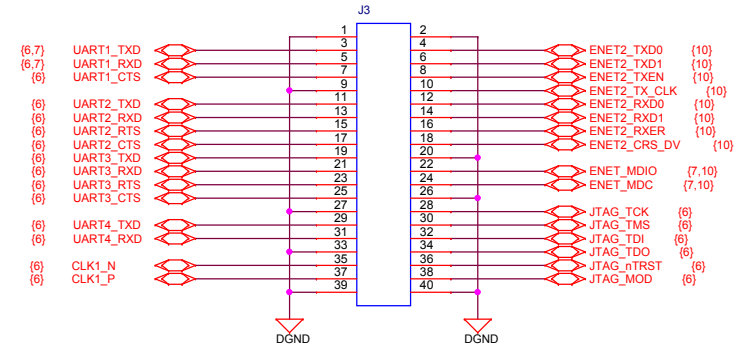
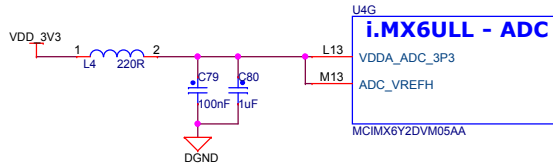
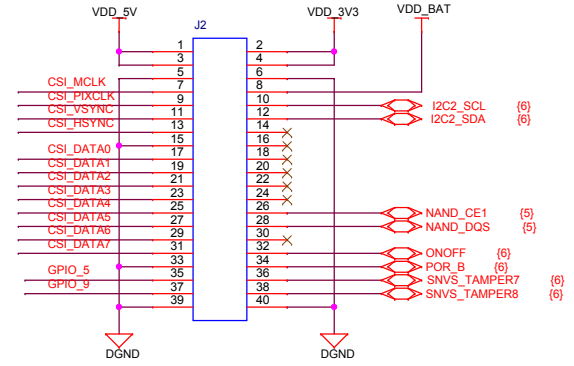
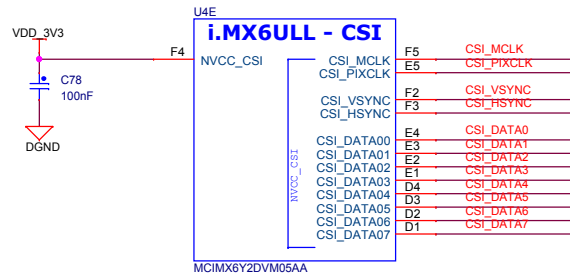


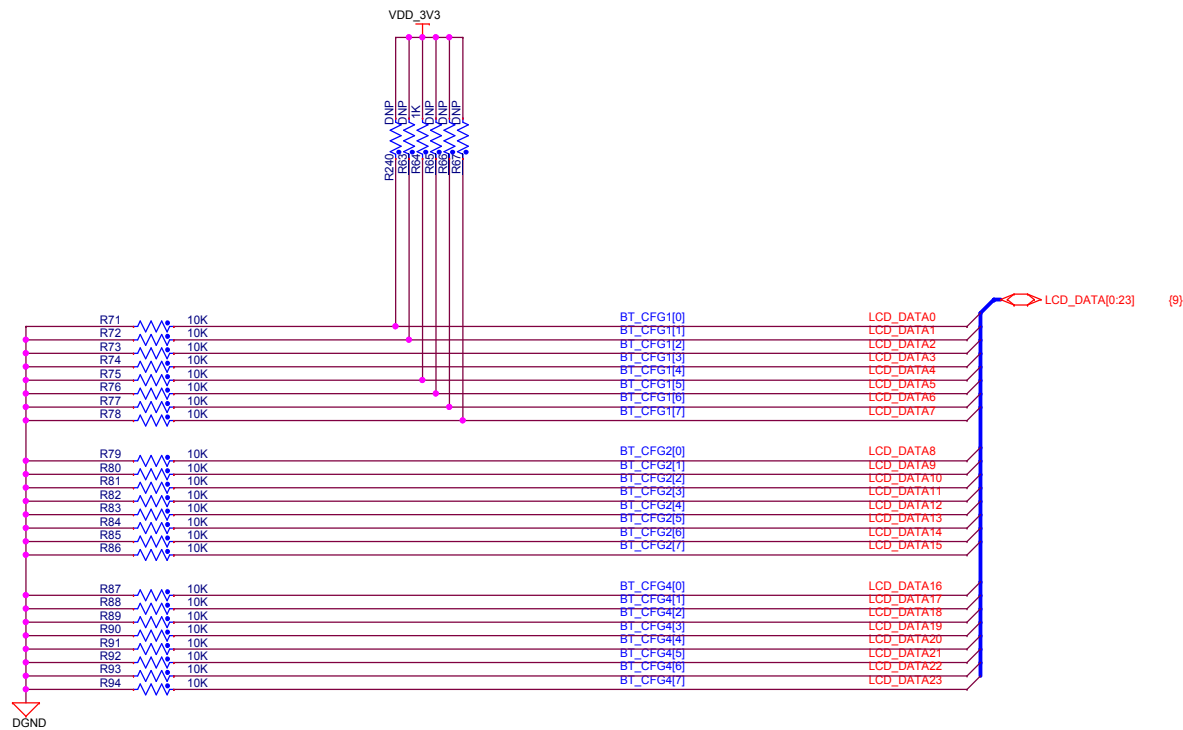


**Nand Flash**







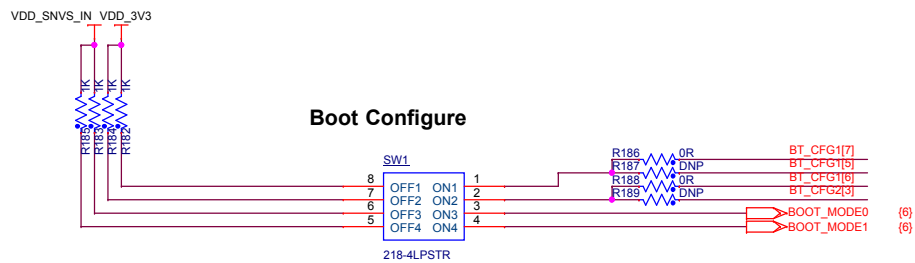


emmc: Mount R187,R189,R66 Move R186,R188

SWITCH	Bit 1	Bit 2
eMMC	H	H
SD Card	L	L

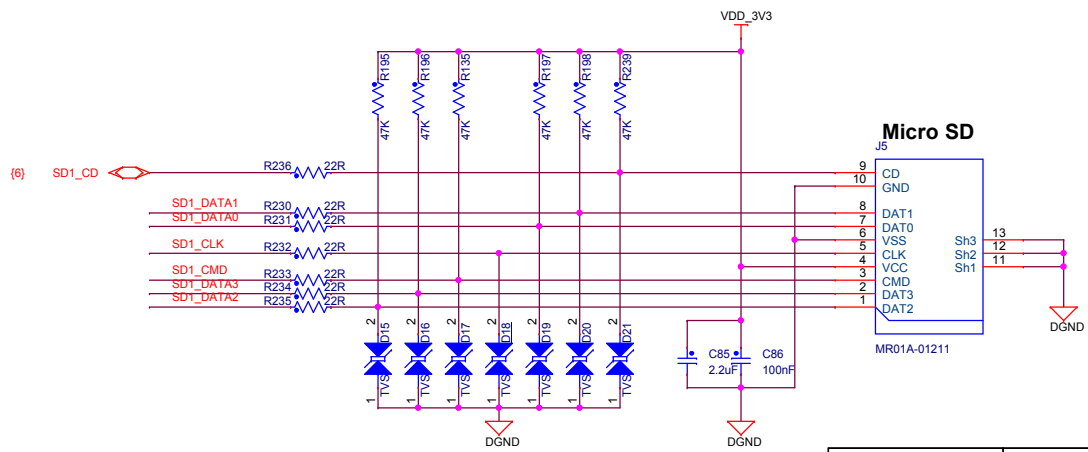
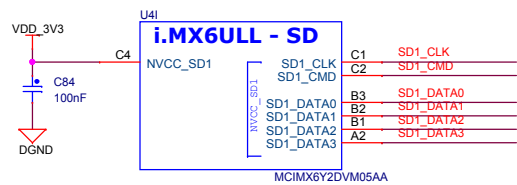
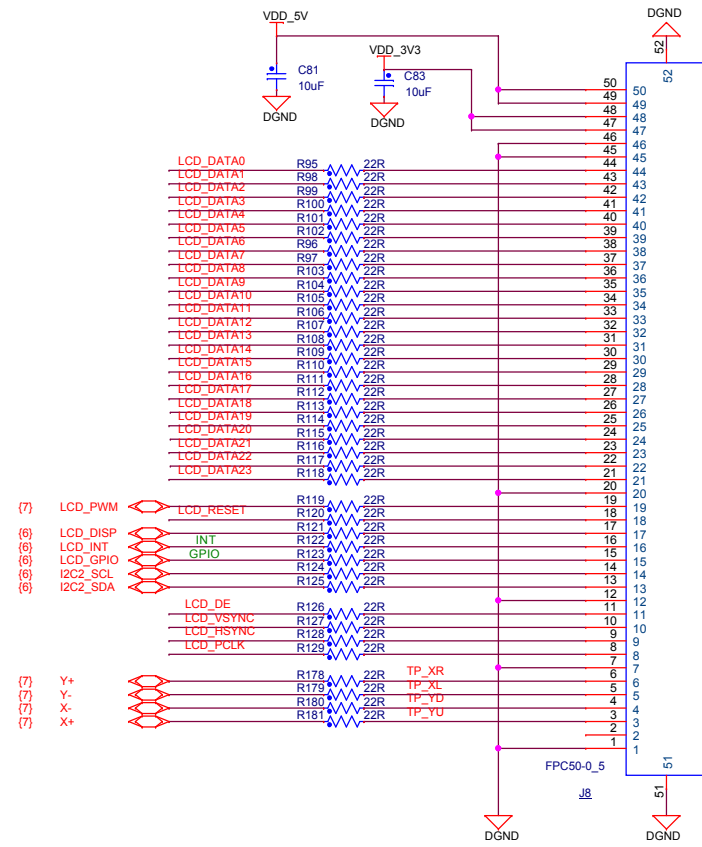
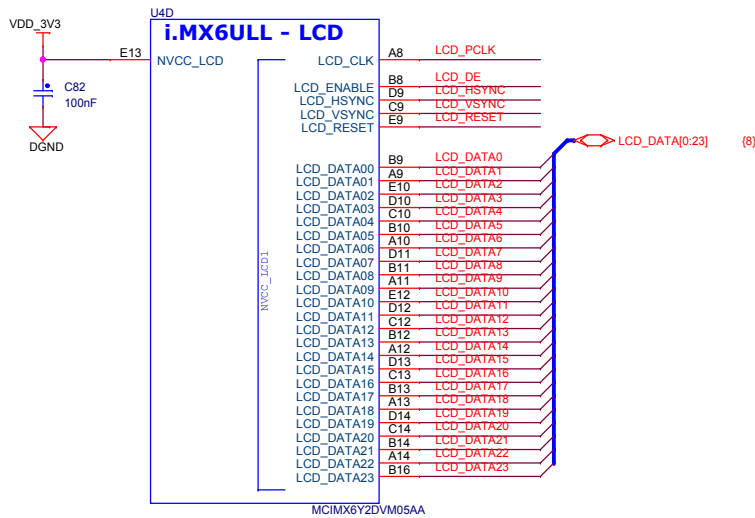
Nand: Mount R186,R188 Move R187,R189,R66

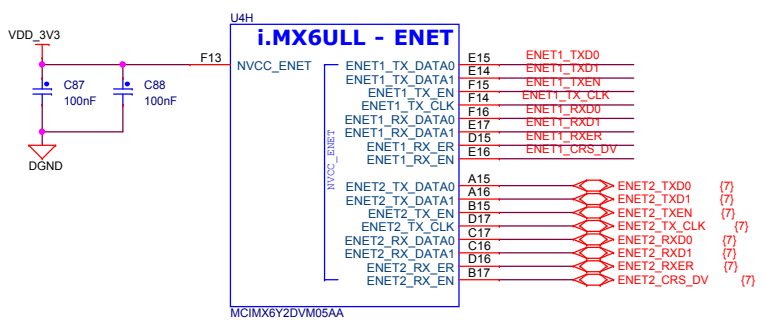
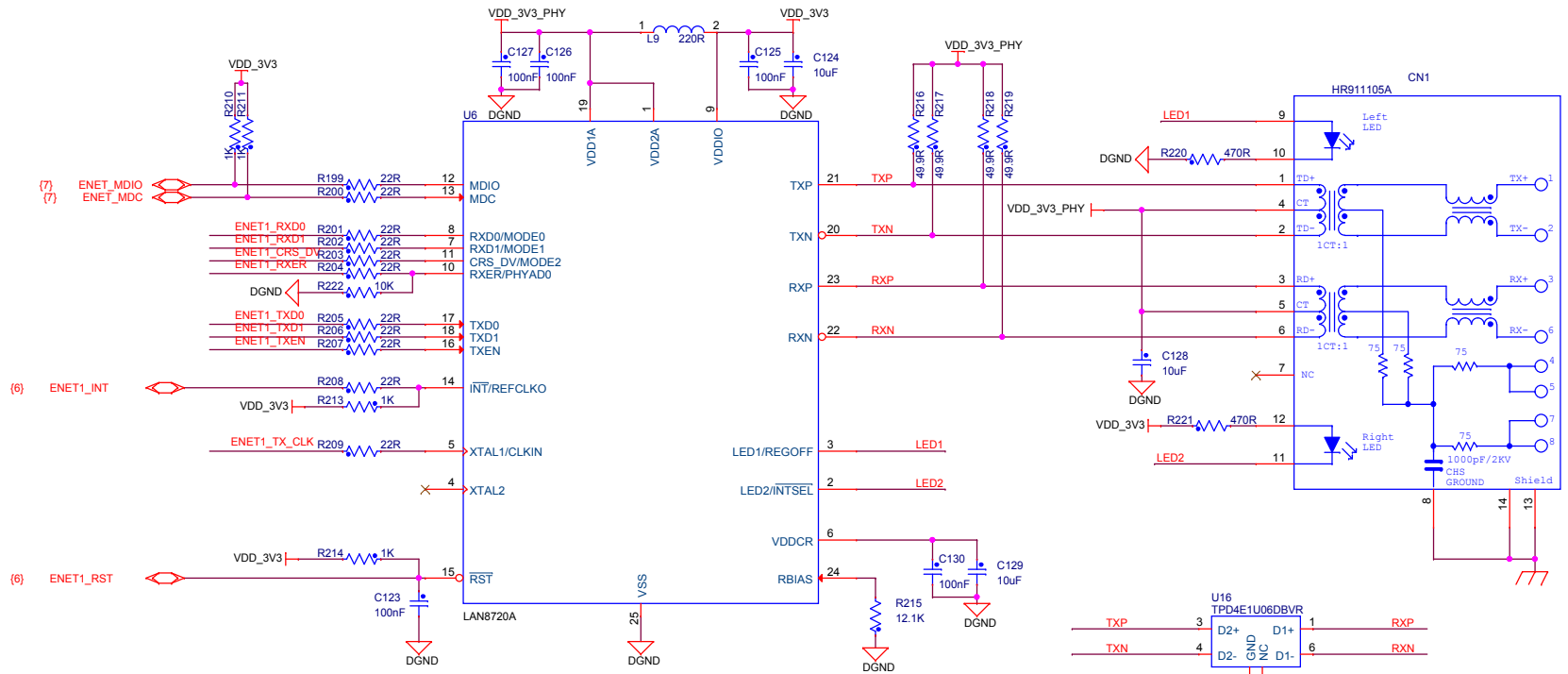
Switch	Bit 1	Bit 2
SD Card	L	H
NAND	H	L

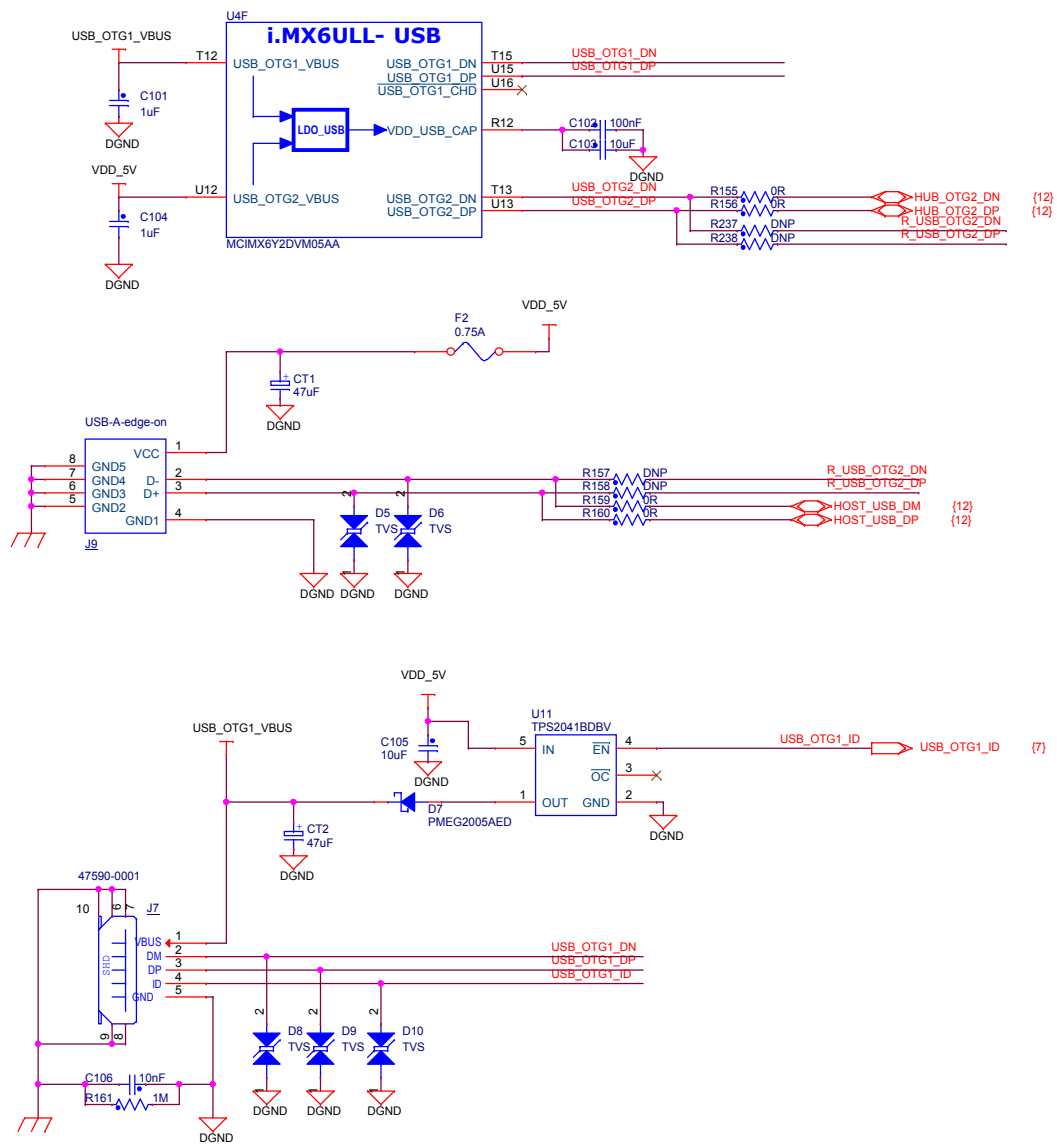


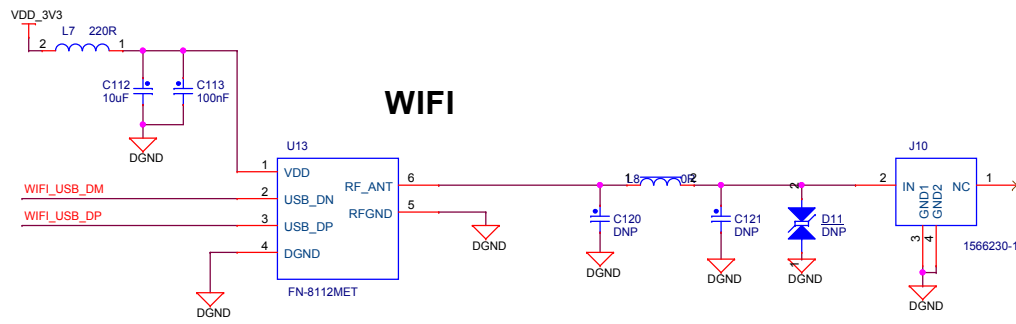
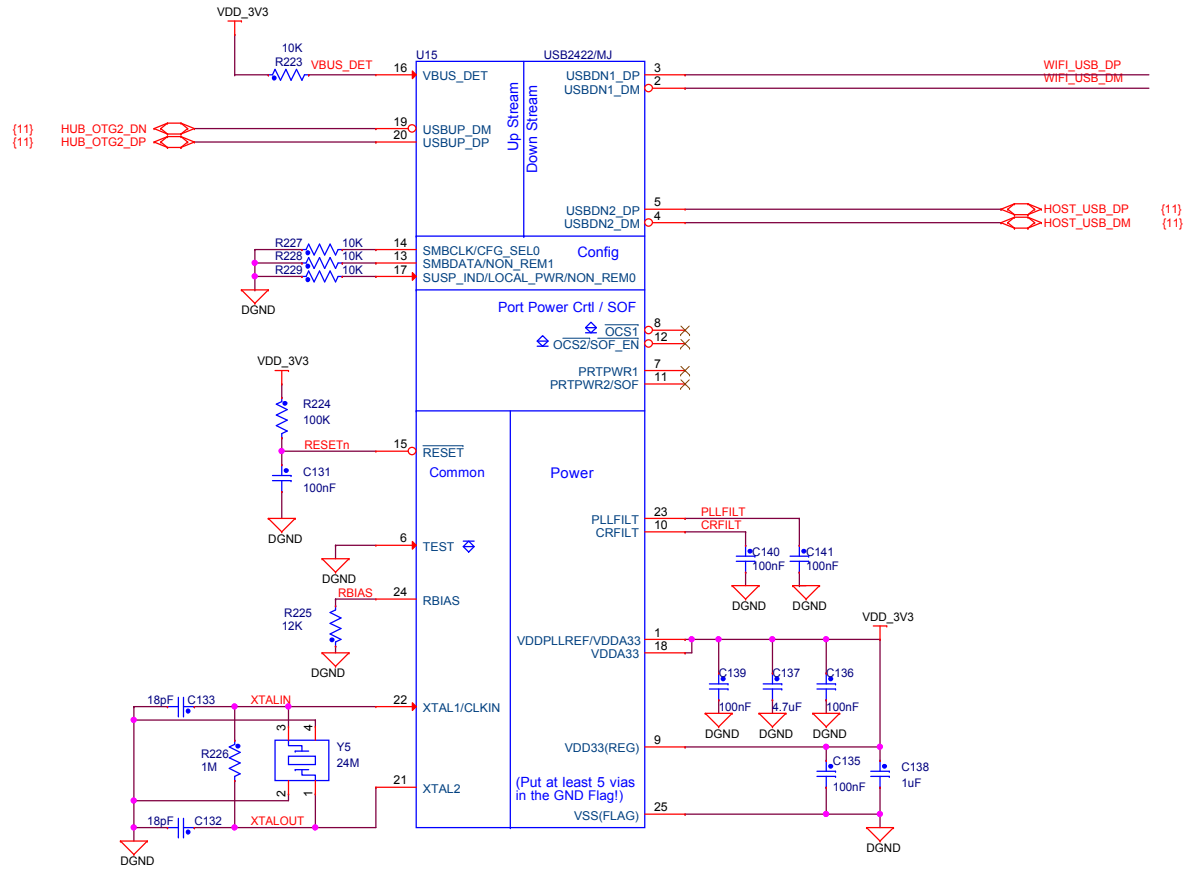
Switch		Boot Type
Bit 4	Bit 3	
0	0	Boot From Fuses
0	1	Serial Downloader
1	0	Internal Boot
1	1	Reserved












**WIFI**

		<a href="http://www.myir-tech.com">http://www.myir-tech.com</a>	
		Title: MYS-U6UL	
Size: A3	Document Number: USB Hub & WIFI	Rev: V1.0	
Draw By: MYIR	Date: Friday, March 24, 2017	Sheet: 12 of 12	